

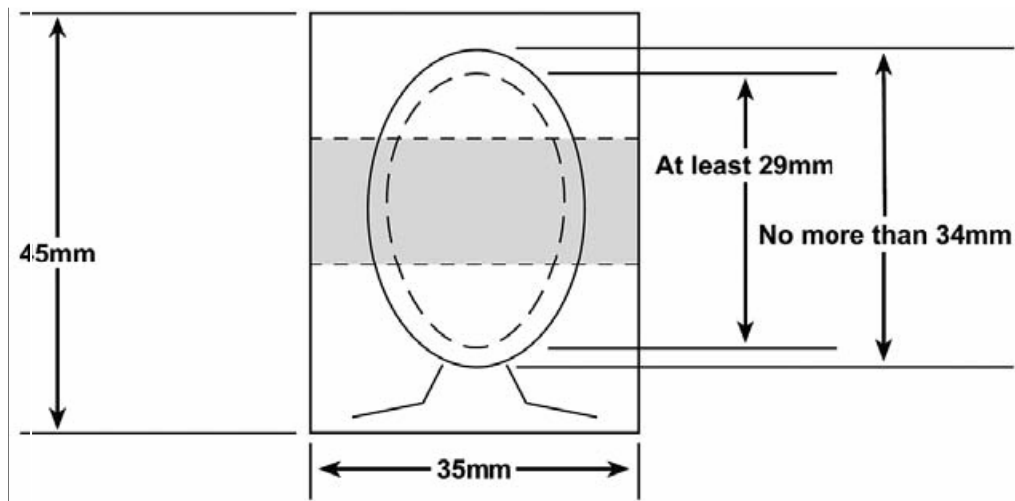
## Passport photographs

All passport applications must include two identical recent photographs. The photographs you send to IPS must meet internationally agreed standards and must be a true likeness of you. The guidance in the following pages will help you send IPS acceptable photographs, and will help avoid the need for IPS to ask for more photographs.

### The photographs must be:

- identical;
- in colour, not black and white;
- taken within the last month;
- taken against a plain light grey or plain cream background;
- 45 millimetres (mm) high x 35 millimetres (mm) wide (however, please do not trim your photographs to meet this condition);
- fit into the template, with your eyes positioned in the area marked by the shaded band;
- undamaged, for example; not torn, creased, or marked;
- free from shadows;
- printed on plain white photographic paper;
- taken with your eyes open and clearly visible (with no sunglasses or tinted glasses, and no hair across your eyes);
- free from reflection or glare on your glasses, and the frames must not cover your eyes (where possible, we recommend that you remove your glasses);
- free from red-eye;
- of you facing forward, looking straight at the camera;
- with a neutral expression and your mouth closed (no grinning, frowning or raised eyebrows);
- of you on your own (no baby's dummy, toys or other people on the photo);
- taken of the full head, without any covering, unless it is worn for religious beliefs or medical reasons; and
- taken with nothing covering your face;

## Photographic Template



### The photographs must:

- be in sharp focus and clear;
- have a strong definition between face and background; and
- be printed professionally. Photographs printed at home are not likely to be of an acceptable quality.

If your application needs to be countersigned, please ask your countersignatory to certify **only one** of your photographs, the second photograph must be left blank.

## Children

Photographs for children aged 6 and over must meet the full standards set out in this guide.

Photographs of children 5 years and under must show a clear image that is a true likeness of the child. As young children can be difficult to photograph, children aged 5 and under do not need to have a neutral expression or to look directly at the camera, but they must face forward.

In addition to the exceptions above, babies under a year old do not need to have their eyes open (however it is preferable for eyes to remain open). All other standards must be met. If the baby's head needs to be supported, it is important that your supporting hand cannot be seen.

If you have real difficulty in meeting these conditions, you should visit a photographic studio rather than a photo booth.

## Photographic Examples

The following photographs are for guidance only. They give an indication of the type of photographs that are acceptable to the Identity & Passport service; it also provides examples of the differing types that would fail the examination process, with the reasons for failure.

Please note that it is your responsibility to provide photographs of a suitable quality that conform to our guidelines. You will be asked for additional photographs if the originals do not reach the required standard, this will delay your application. If you choose to use a professional photographer please ensure that you are happy that the photographer is aware of the standards required, particularly that the photo will not show a white background once printed.

Please also note that photographs become part of IPS' official records and IPS will not return them.



**Good**



**Good**



**Good**



**Acceptable**  
Where possible, it is preferable to remove glasses to avoid any possibility of your photo being rejected



**Acceptable**  
Head coverings for religious or medical grounds are allowed



**Acceptable**  
Where possible, it is preferable to remove glasses to avoid any possibility of your photo being rejected

The following examples would be rejected by IPS' staff as they do not conform to either the Identity & Passport Service, or internationally agreed standards:



**Not acceptable**  
The glasses cover the eye



**Not acceptable**  
Dark glasses obscure the eyes, and smiling



**Not acceptable**  
Covering of facial  
features is not  
permitted



**Not acceptable**  
Any dummies should  
be removed before  
the photo is taken



**Not acceptable**  
Hair covering the face  
is not permitted



**Not acceptable**  
The scarf creates a shadow, which obscures the facial detail



**Not acceptable**  
Hats are not permitted



**Not acceptable**  
The photograph is too blurred to capture any facial detail



**Not acceptable**  
The background is not light grey or cream



**Not acceptable**  
The photograph contains more than one person



**Not acceptable**  
Portrait style  
photographs are not  
permitted



**Not acceptable**  
Although facing the  
camera, the subject is  
not looking directly  
forward



**Not acceptable**  
The subject is  
neither facing or  
looking directly  
forward



**Not acceptable**  
Laughing or smiling  
distorts the normal  
facial features



**Not acceptable**  
Opening the mouth  
distorts the normal  
facial features



**Not acceptable**  
Even a slight smile  
distorts the normal  
facial features



**Not acceptable**  
The subject is too far  
from the camera



**Not acceptable**  
The subject is too  
close to the camera

## More help

If you need more advice, or if you have a disability that means you cannot meet one or more of our requirements, please contact the Passport Adviceline on 0300 222 0000.